



QIANJI JQC-3F(T73)

Features

- 12A carrying current
- 1H and 1Z contact form available construction
- Standard PC layout

PCB Relay



Coil Voltage 3,5,6,9,12,24,48VDC
 Contact Ratings 1H,1Z
 Relay Type

Contact Ratings

Contact Ratings	1H 1D 1Z
Contact Resistance	100mΩ (at 1A 6VDC)
Contact Material	Silver / Copper
Contact capacity	5A, 7A, 10A, 12A 250VAC/28VDC

Specification

Insulation Resistance	100MΩ 500VDC
Dielectric Strength	BCC 1500V 1 min
	BOC 750V 1 min
Operate Time	10ms/5ms
Terminal Type	PCB

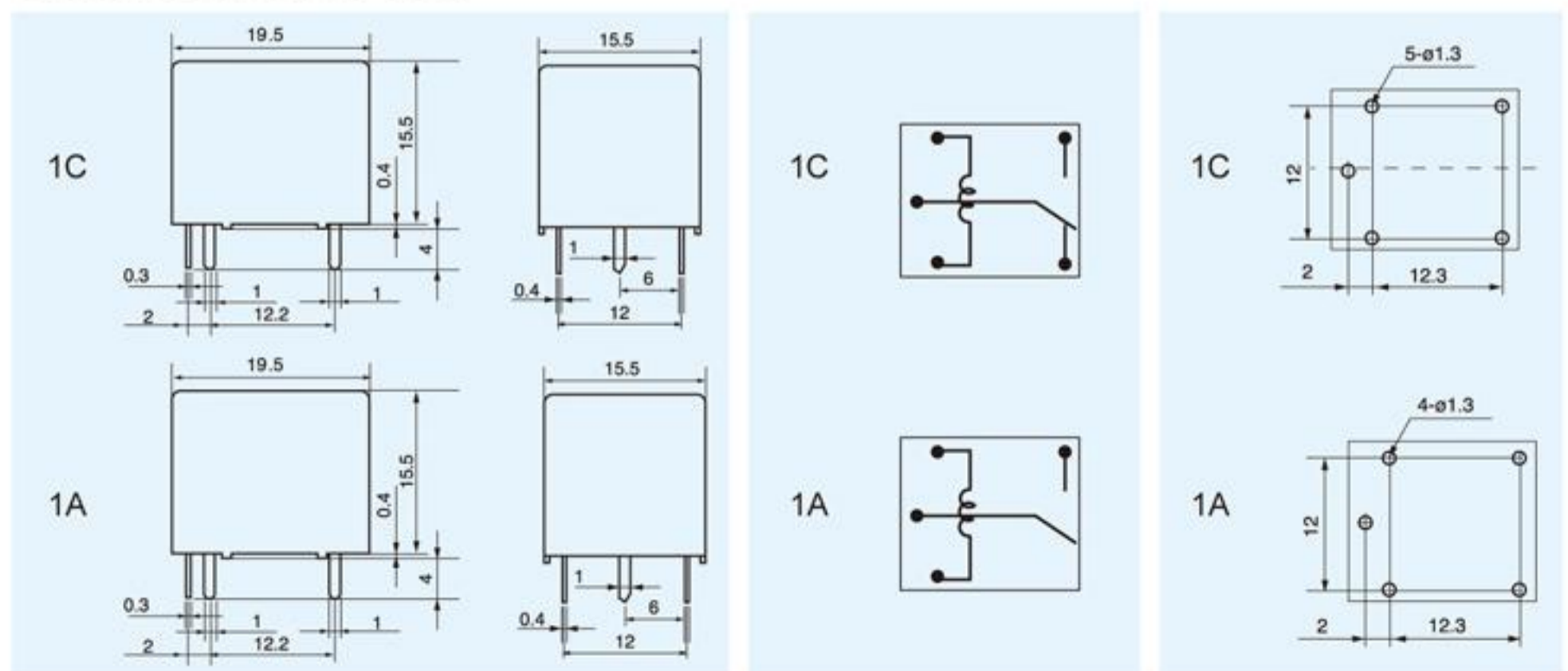
Coil Ratings

Nominal Coil Power	0.36W,0.45W
--------------------	-------------

Coil Versions

Nominal Voltage VDC	Coil Resistance at 20°C ± 10%		Max Operate Voltage (VDC)	Min Release Voltage (VDC)	Max Applicable Voltage (VDC)
	0.36W	0.45W			
3	25	20	2.25	0.3	3.9
5	70	55	3.75	0.5	6.5
6	100	80	4.50	0.6	7.8
9	225	180	6.75	0.9	11.7
12	400	320	9.00	1.2	15.6
24	1600	1280	18.00	2.4	31.2
48	6400	5100	36.00	4.8	62.4

Dimension.Bottom View



Reference Data

